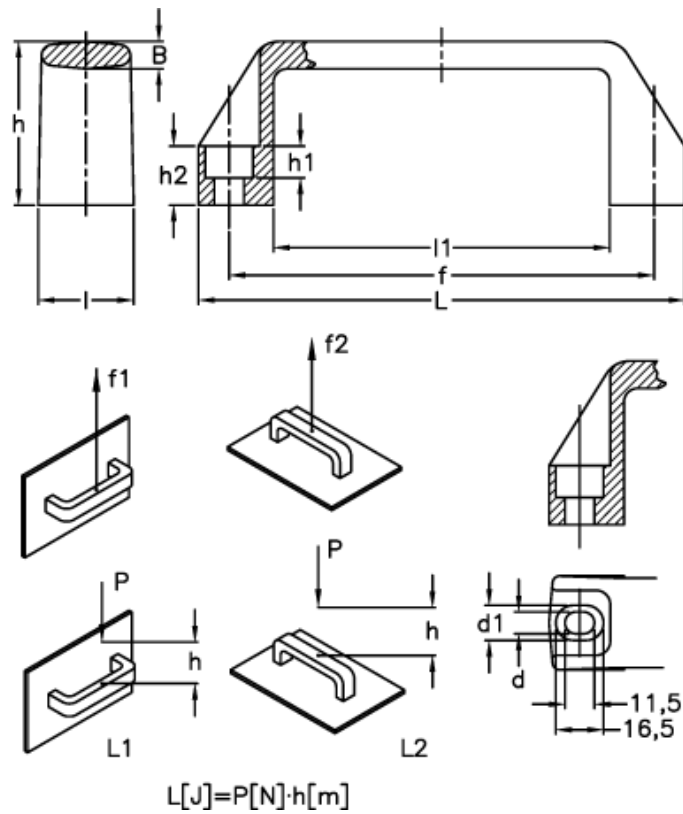


Data Sheet



Article number: 2304037192
Description: E+G Handle
M.443/180-CH, Orange

Measures



B	= 7.0	h2	= 17
d	= 8.5	l	= 27
d1	= 13.5	L	= 172
f	= 149 - 152 +/- 1	l1	= 125
F1 (N)	= 3000	L1 (J)	= 27
F2 (N)	= 2600	L2 (J)	= 15
h	= 47		
h1	= 8.5		